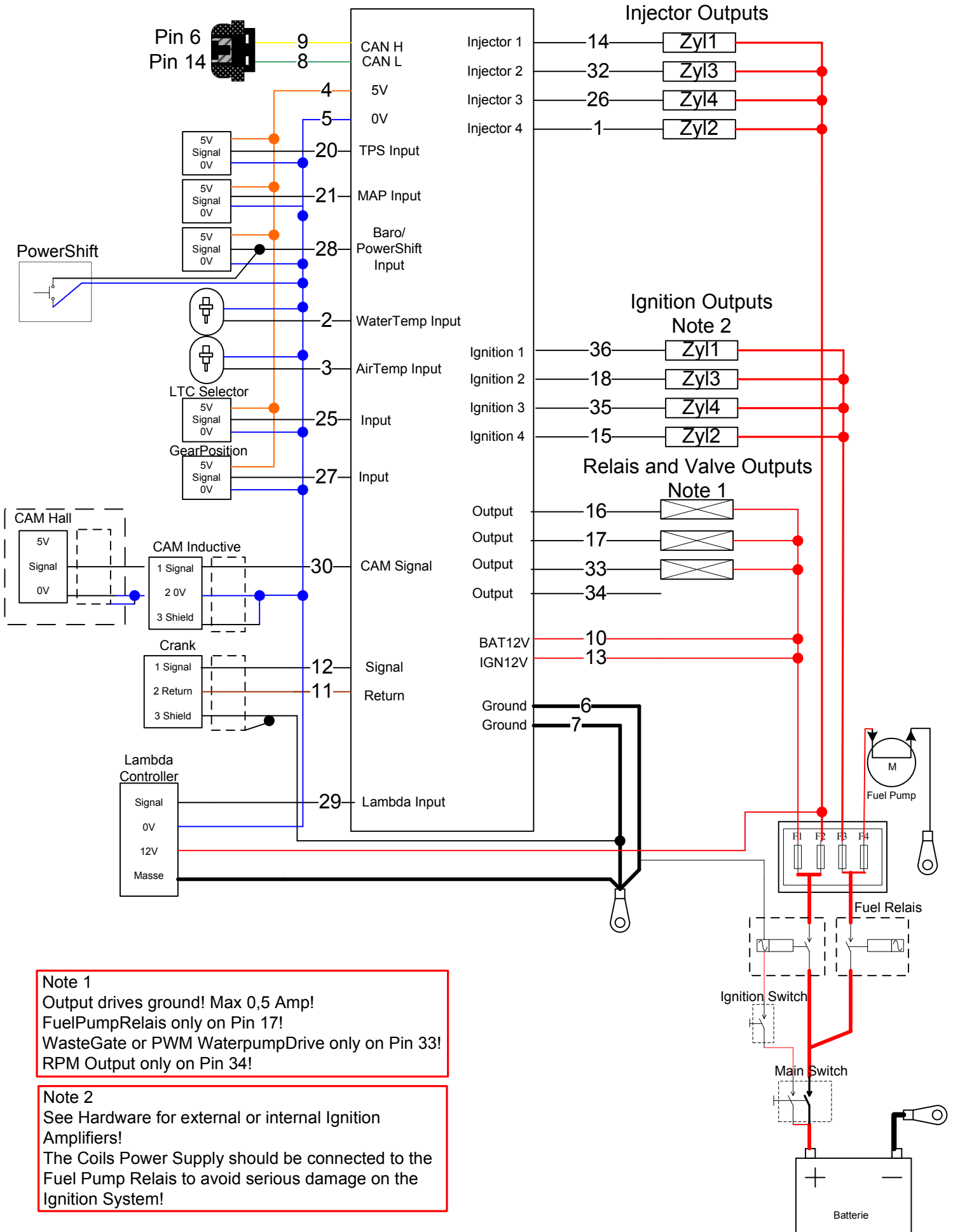


MBE 9A4

4 Zylinder COP 1-3-4-2



Note 1
 Output drives ground! Max 0,5 Amp!
 FuelPumpRelais only on Pin 17!
 WasteGate or PWM WaterpumpDrive only on Pin 33!
 RPM Output only on Pin 34!

Note 2
 See Hardware for external or internal Ignition Amplifiers!
 The Coils Power Supply should be connected to the Fuel Pump Relais to avoid serious damage on the Ignition System!