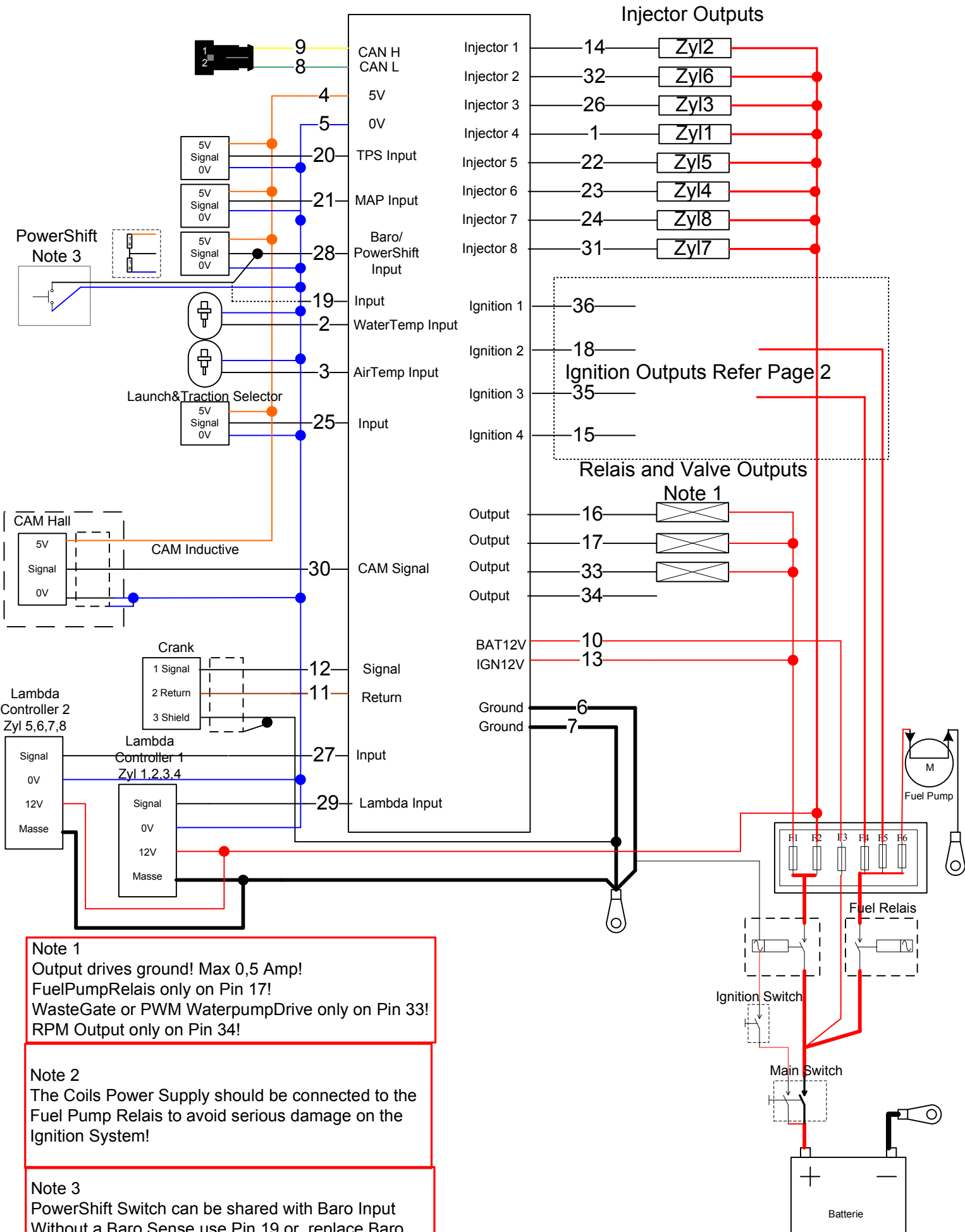


MBE 9A8
 8 Zylinder COP 1-5-4-8-7-2-6-3
 BMW S65B40 V8
 2 Lambda



Note 1
 Output drives ground! Max 0,5 Amp!
 FuelPumpRelais only on Pin 17!
 WasteGate or PWM WaterpumpDrive only on Pin 33!
 RPM Output only on Pin 34!

Note 2
 The Coils Power Supply should be connected to the Fuel Pump Relais to avoid serious damage on the Ignition System!

Note 3
 PowerShift Switch can be shared with Baro Input
 Without a Baro Sense use Pin 19 or replace Baro Sense with Resistors!

MBE 9A8 Ignition Wiring BMW V8

